

LD1 LENSES FOR OSRAM-OS DIAMOND DRAGON LEDs



OSRAM
www.osram.com



- Specially designed for Osram-os Diamond Dragon series of LEDs.
- Special care taken to make a uniform white or warm white illumination. Lenses work well with other colors, too.
- Lens material optical grade PMMA. Allows use of high current and temperature conditions
- Best available optical efficiency, more than 90%, with an extremely good cutoff of light
- Fastening of holden to PCB with appropriate adhesive, e.c. epoxy or polyurethane based. NOTE: DO NOT USE SUPERGLUE.

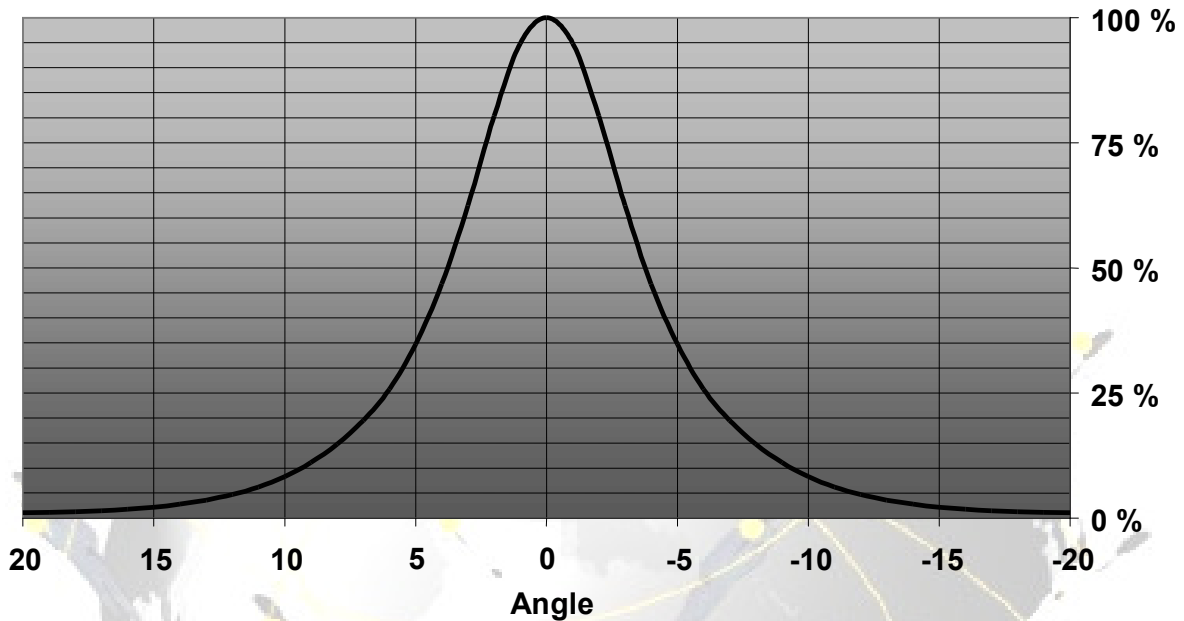
LENS TYPES

NAME	ORDERING CODE	FWHM Angle
LD1 REAL SPOT	LD1-RS (n. 10492)	±4
LD1 SMOOTH SPOT	LD1-SS (n. 10490)	±3
LD1 MEDIUM	LD1-M (n. 10491)	±12
LD1 RECTANGULAR	LD1-REC (n. 10493)	±20 x ±12

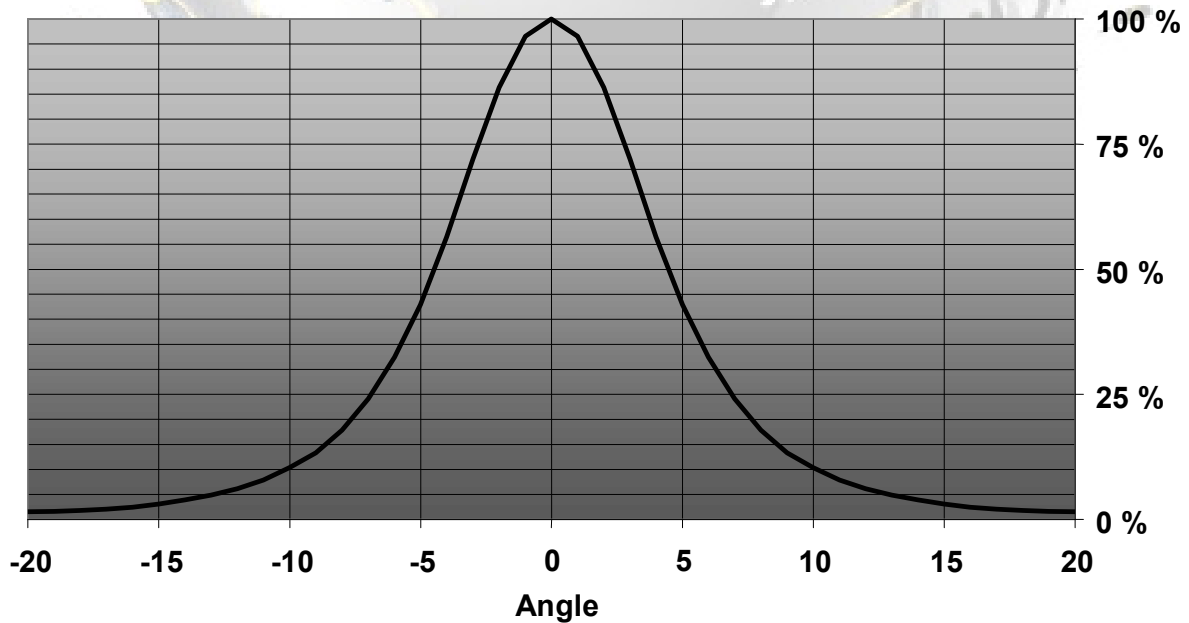
© Ledil Oy – PRELIMINARY - Subject to change without prior notice

MEASUREMENT DATA

Relative Intensity of LD1-RS

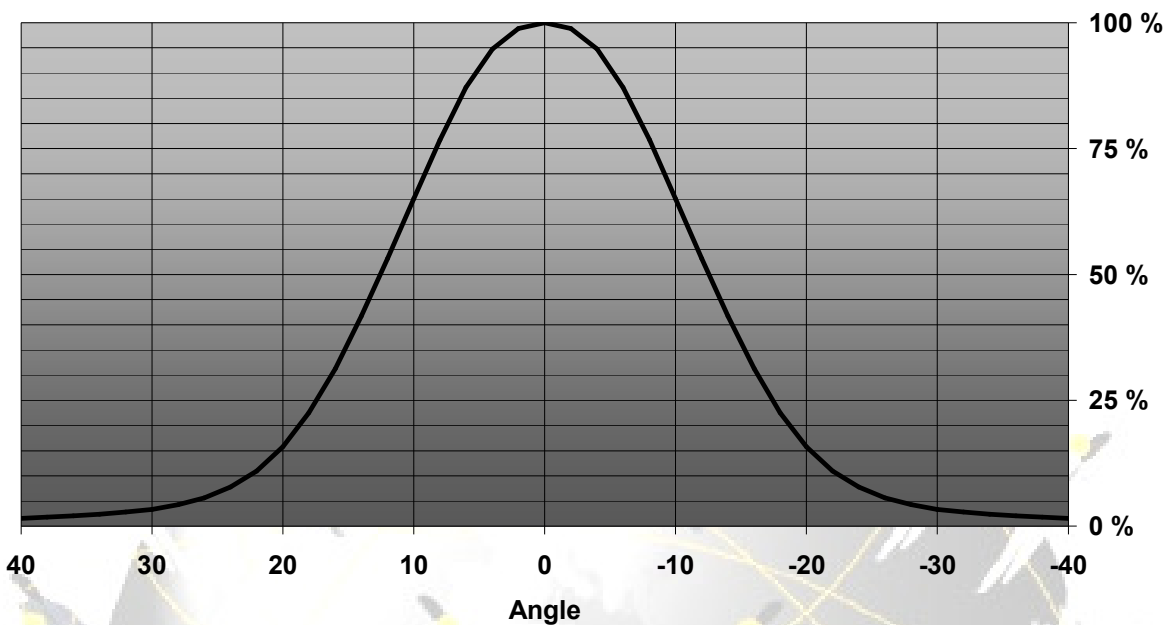


Relative Intensity of LD1-SS

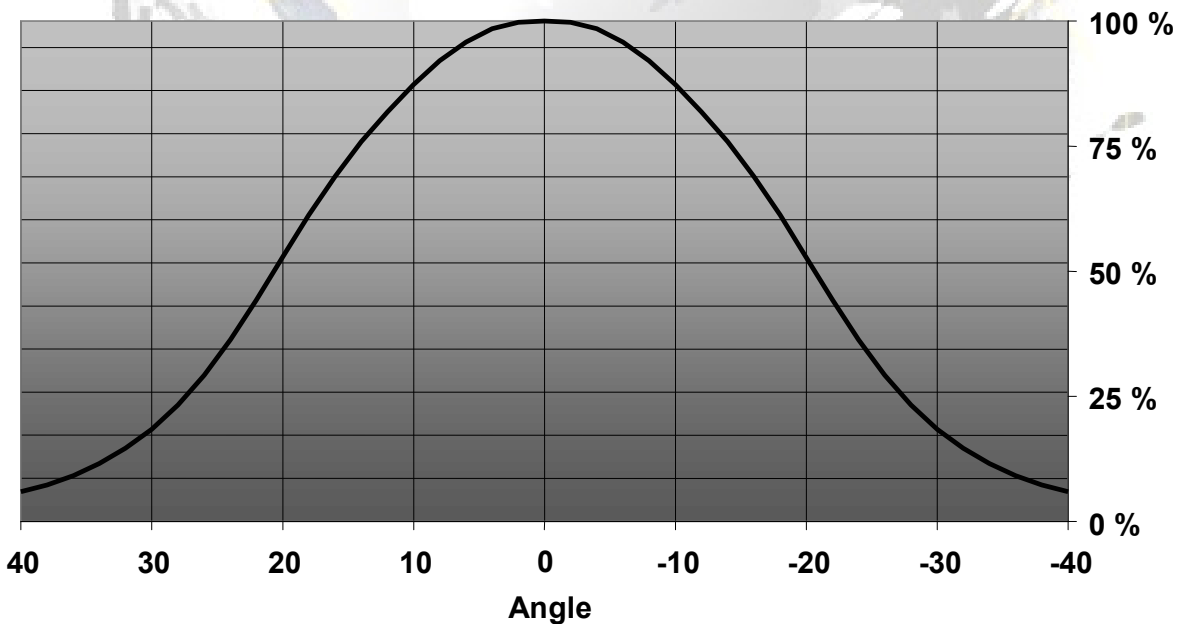


© Ledil Oy – PRELIMINARY - Subject to change without prior notice

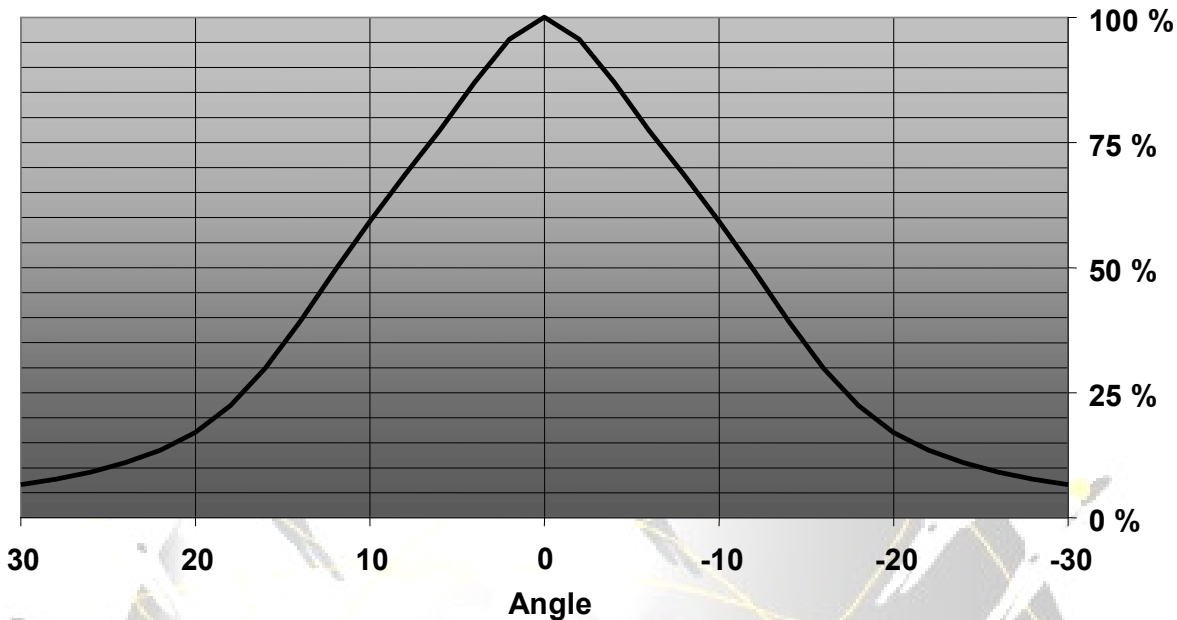
Relative Intensity of LD1_M



Relative Intensity of LD1-REC (horizontal)

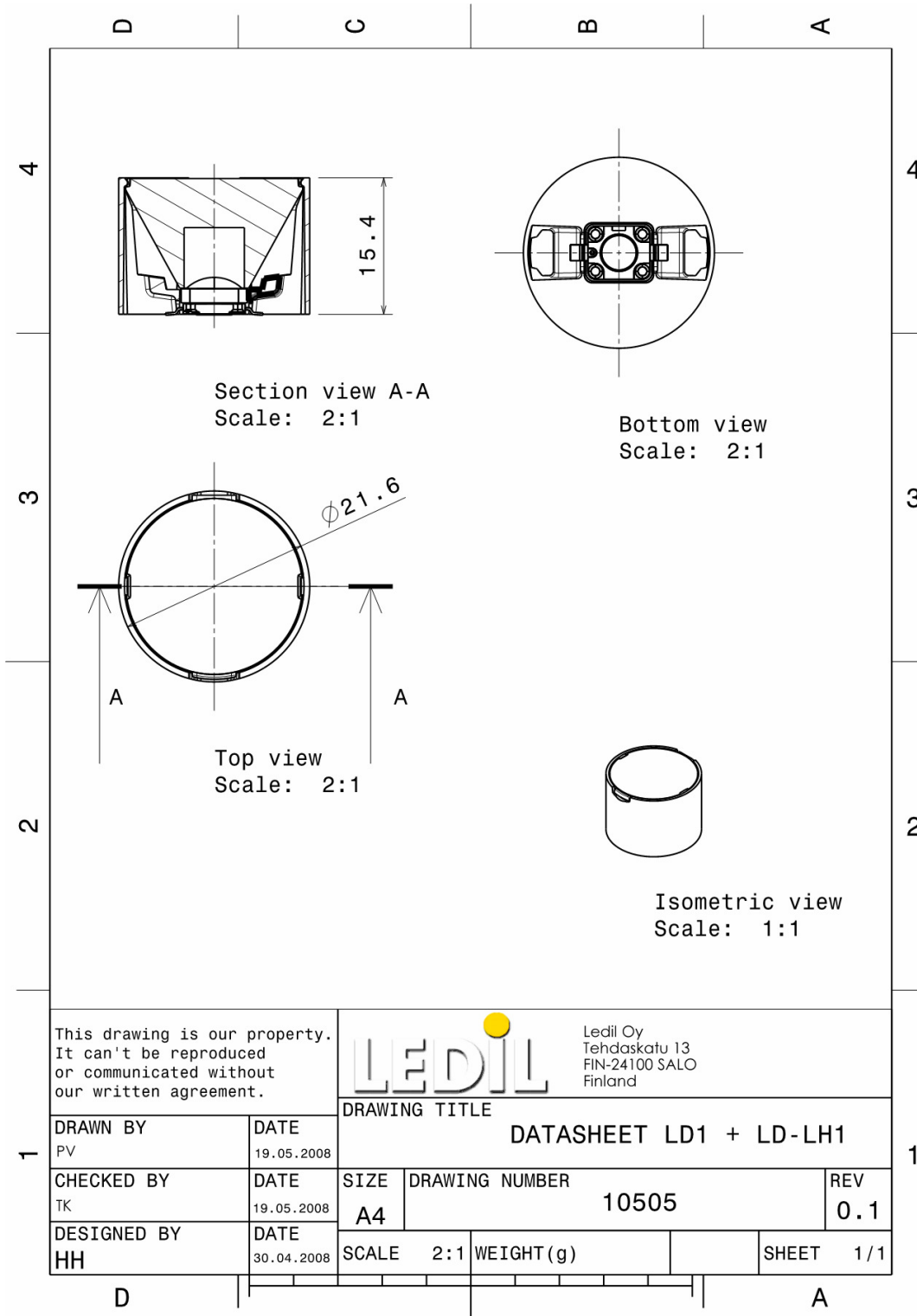


© Ledil Oy - PRELIMINARY - Subject to change without prior notice

Relative Intensity of LD1-REC (vertical)

EULUMDAT & IES FILES AVAILABLE BY REQUEST

DRAWINGS



This drawing is our property.
It can't be reproduced
or communicated without
our written agreement.



Ledil Oy
Tehdaskatu 13
FIN-24100 SALO
Finland

DRAWN BY PV		DATE 19.05.2008		DRAWING TITLE DATASHEET LD1 + LD-LH1		
CHECKED BY TK		DATE 19.05.2008		SIZE A4	DRAWING NUMBER 10505	REV 0.1
DESIGNED BY HH		DATE 30.04.2008		SCALE 2:1	WEIGHT (g)	SHEET 1/1

© Ledil Oy - PRELIMINARY - Subject to change without prior notice